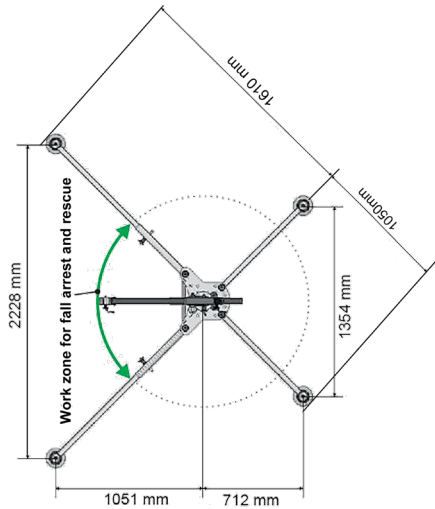
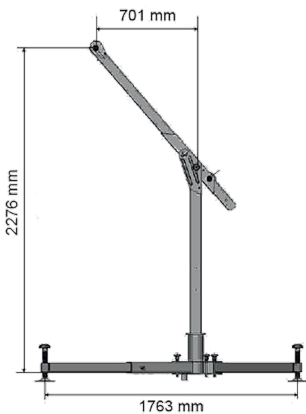


## IKAR Free Standing Davit Ground Sleeve

**Product Code – 41-67**



Example system, showing use of IKAR HRA device for fall arrest & rescue applications

### Details:

- Free standing base for use with IKAR ASS-1 and AASS-1 Davit systems only.
- Quick and easy to assemble / dismantle on site.
- All parts secured with ball-lock pins.
- Height adjustable feet for uneven ground surface.
- Davit post rotates 360°.
- Can be used with fall arrest & rescue devices (Type "HRA").
- Can be used with IKAR winches (Types "PLW" and "ALKO901").
- Safe working load 300Kg (max 2 people).
- When used with an IKAR davit arm (Types AAS-1 and AASS-1), the system is in accordance to EN795:2012 Class B.

### Component Weights:

Central Socket Assembly 23.4Kg	Front Leg (Long) Each 8.1Kg	Back Leg (Short) Each 9.2Kg
-----------------------------------	--------------------------------	--------------------------------

