

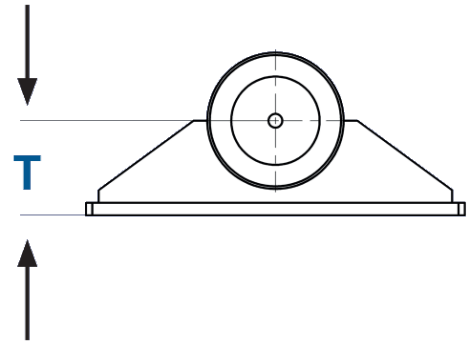
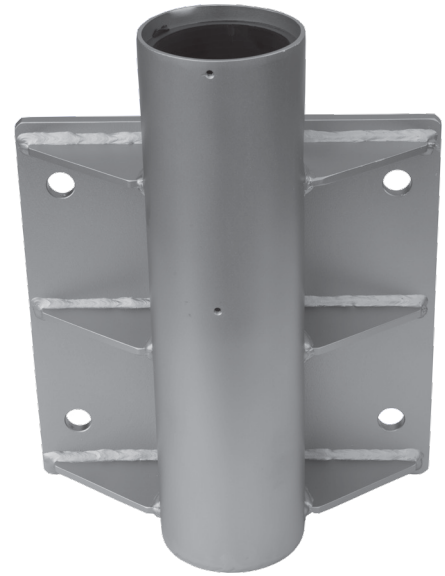
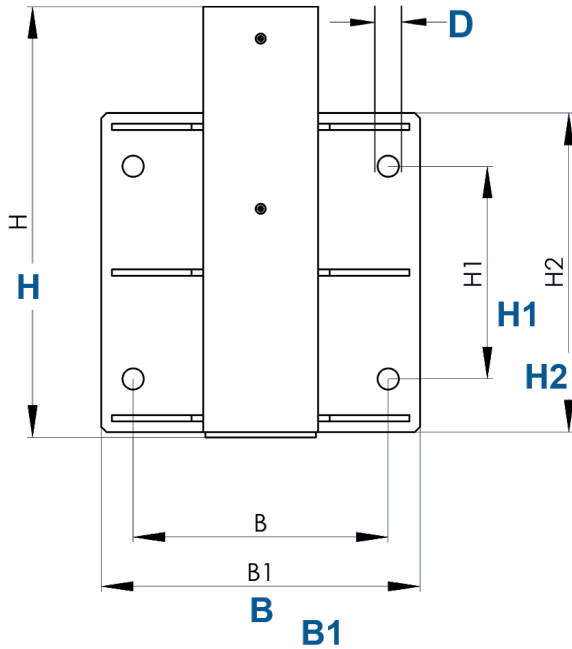


# IKAR GB Limited

The 'TEAM' that provides Sales, Servicing and Training in Fall Arrest, Rescue and Confined Space Equipment!

## IKAR Davit Wall Sleeve

Product Code – 41-57/2



H	H1	H2	B	B1	T	D	Weight
410mm	200mm	300mm	240mm	290mm	75mm	20mm	14.9Kg

### Details:

- Main body is stainless steel (V4A)
- Davit post rotates on Polyester (PA Polyamide) fixed bearing
- Supplied with 4 x M16 resin fix bolts, washers, nuts and resin
- Installation and testing instructions detailed in the user manual
- When used with an IKAR Davit Arm (types AASS 1-4 & ASS 1-4) the system is in accordance to EN795 Class B.
- Sockets with a greater stand-off (T) are available, please contact IKAR GB for information.

IKAR GB Limited  
32 Phoenix Industrial Estate, Charles Street, West Bromwich, B70 0AY  
Tel: 0121 522 4120 Fax: 0121 520 1558  
www.ikargb.co.uk email: contact@ikargb.co.uk  
Registered In England Company No. 6491275  
VAT Number 932 2636 34

